

**LAVASTOVIGLIE A CAPPOTTINA
HOOD TYPE DISHWASHER****ZHT / OHT / KHT / NHT / EHT**

Code	Type	Ref.	Pagina/ Page	Code	Type	Ref.	Pagina/ Page
PRESSIONE				ATMOSFERICA			
505046	EHT	a	2 3 5 6	505036	EHTAO	q	2 3 4 6
505047	EHT60	b	2 3 5 6	505048	EHTG	d	2 3 4 6
505049	EHTM	e	2 3 5 6	505054	EHTAROW	m	2 3 4 6
505050	EHTM60	f	2 3 5 6	505055	EHTAROW60	n	2 3 4 6
505051	NHT	h	2 3 5 6	505056	ZHTAROW	o	2 3 4 6
505052	NHTD	i	2 3 5 6	505057	ZHTAROW60	p	2 3 4 6
505053	NHT60	l	2 3 5 6	505058	EHTAJ	z	2 3 4 6
505063	KHT	c	2 3 5 6	505059	EHTAJ60	k	2 3 4 6
505064	NHTM	x	2 3 5 6	505060	EHTAO60	r	2 3 4 6
505065	NHTM60	y	2 3 5 6	505061	ZHTAO	s	2 3 4 6
505082	NHTP	a1	2 3 5 6	505062	ZHTAO60	t	2 3 4 6
				698047	OHTAROW	u	2 3 4 6
				698048	OHTAROW60	v	2 3 4 6
				698058	NHTDPDDG	a2	2 3 4 6
				698110	NHTG	g	2 3 4 6

**Pagina/ Page****Indice/ index**

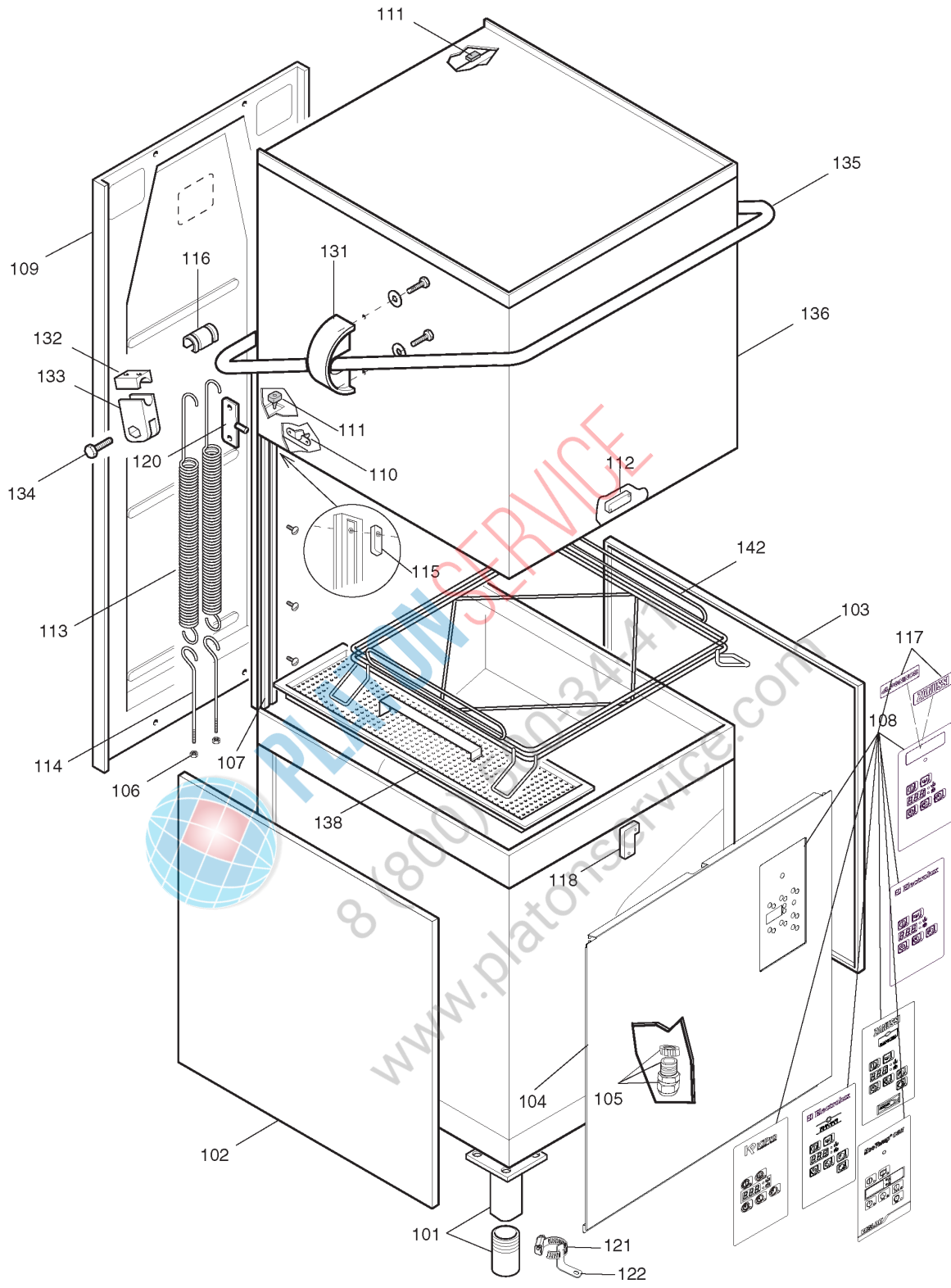
2	Vista generale / Main view
3	Componenti idraulici / Hydraulic components
4	Circuito idraulico atmosferico / Atmospheric plumbing circuit
5	Circuito idraulico a pressione / Pressurized plumbing circuit
6	Componenti elettrici / Electrical components
7 - 14	Lista ricambi / Spare parts list

Marchio/ Brand: E**Paese/ Country: Tutti/ All**

Da Ser.Nr./From Ser.nr.: /839....

Page: 1 Ed.2013-11

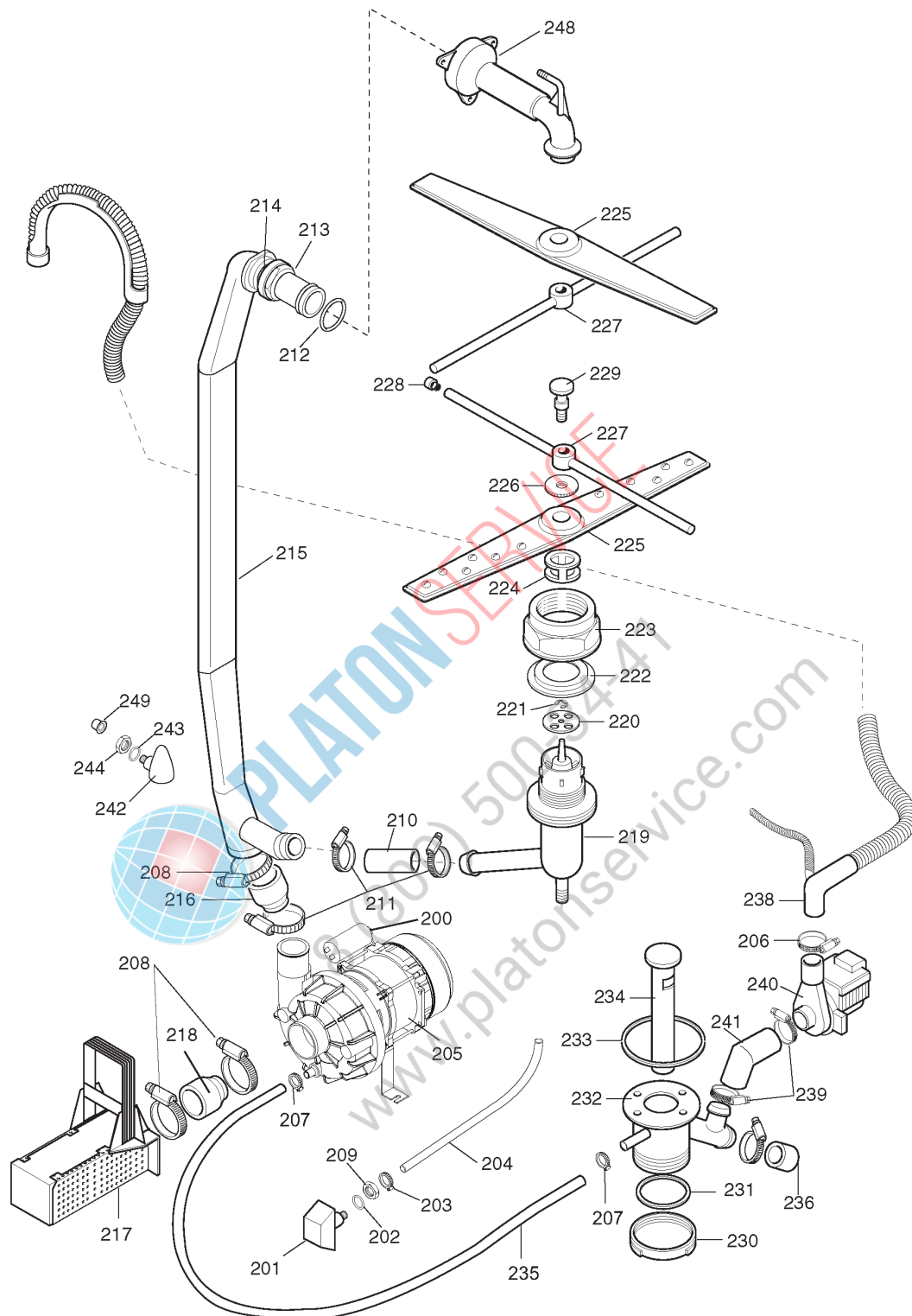
Doc. Nr.: 595665P00



iii. 595665P00_p2
 Vista generale / Main view

Da Ser.Nr./From Ser.nr.: /839....	Page: 2 Ed.2010-12	Doc. Nr.: 595665P00
-----------------------------------	--------------------	---------------------

??????	505046									
??????	595665P00	???????? 2	Main view							
.		Alias		S			.			(Euro)
0101	048579			S	C			COMPLETE FOOT; H=153MM	a,b,h,i,l,c,a1,q,d,m,n,o,p,z,k,r, s,t,u,v,a2,g	16,66
0102	0L0062							RIGHT SIDE PANEL		107,60
0103	0L0063							LEFT SIDE PANEL		107,60
0104	0L1700							FRONT PANEL; ASSY; LS9		100,50
0105	048932							FIXING CABLE		6,76
0106	049761			S				BUSH		1,91
0107	0L0084			S				RUNNER		16,77
0108	0L1674							ADHESIVE MEMBRANE; WT55	a,b,d,e,f	145,10
0109	0L0066			S				REAR PANEL	a,b,c,e,f,h,i,x,y,a1	76,33
0110	049527			S				DRIP SLIDE		3,50
0111	0L0090			S				ABSORBER		3,97
0112	049627			S				MAGNET		9,82
0113	0L0057			S				SPRING		32,38
0114	049583			S				SPRING STRETCHER		10,18
0115	0L0099			S				SLIDING SHOE		2,65
0116	049594			S				SPRING SUPPORT		2,46
0118	0L1871			S	Kit			REED SWITCHT; KIT		20,40
0120	0L0059							BRACKET WITH BOLT		14,33
0121	0L2463							CLAMP; DIA.50-70; INOX	From Ser. Nr.: 103	5,60
0122	0L2464							BRACKET	From Ser. Nr.: 103	6,22
0131	0L0058			S				RUNNER		7,85
0132	0L0055							SUPPORT; UPPER		6,68
0133	0L0056							SUPPORT; LOWER		6,68
0134	0L0091							SCREW		4,67
0135	0L0054							HANDLE		116,70
0136	0L0053			S				COVERING; LS9		441,50
0138	0L0069			S				FILTER		67,60
0142	049629			S				RUNNER FOR BASKET		106,60



ill. 595665P00_p3
Componenti idraulici / Hydraulic components

Da Ser.Nr./From Ser.nr.: /839....

Page: 3 Ed.2008-09

Doc. Nr.: **595665P00**

??????	505046								
??????	595665P00	???????? 3				Hydraulic components			
.		Alias		S		.			(Euro)
0200	0A2914			S		CAPACITOR; 16MF 500V		16 µF	17,40
0201	048308			S		AIR TRAP; FOR PRESSURE GAUGE			4,44
0202	068642			S		O-RING; ØI=15,54X2,62		Up to Ser. nr.: 006	1,02
0203	046946			S		CLAMP; 8-12/7,5			2,22
0204	048883			S		RUBBER HOSE; 5X12; 1PZ=2300MM			12,31
0204	049904			S	CGX200 8-16	PRESSURE SWITCH HOSE; L=60CM		From Ser. nr.: 007	5,17
0205	0L1914			S		PUMP; ZF522VSX; 230V 1PH; 50HZ		a,c,d,g,h,i,m,o,q,s,u,a1,a2 - 50 Hz	234,50
0206	047578			S		CLAMP; 26-38			1,80
0207	048126			S		CLIP; 13-20		a,b,h,i,l,c,a1,q,d,m,n,o,p,z,k,r, s,t,u,v,a2,g	1,58
0208	046853			S		HOSE CLAMP; 60-80/9			2,53
0209	049268			S		HEX NUT; M14X1,5			1,80
0210	0L0612			S		SLEEVE			6,97
0211	0L0193			S		CLMAP; 40-60/9			2,01
0212	0L0185		068799			OR; 164 3,53X60,33			
0213	0L0557			S		RING NUT; Ø MAX=96MM; H=25MM			4,03
0214	049593			S		O-RING; ØI=72,39X5,34 MM			1,91
0215	0L0556			S		PIPE; FOR WASHING ARMS SUPPORTS			49,43
0216	0L0068			S		JUNCTION			16,05
0217	049810			S		FILTER FOR PUMP			33,09
0218	0L0067			S		JUNCTION			14,15
0219	048235			S		SUPPORT F. LOWER JETS			40,90
0220	048820			S		SHUTTER			4,65
0221	048979			S		SNAP RING			1,42
0222	048236			S		GASKET			3,69
0223	048237			S		RING NUT; LOWER JETS SUPPORT			5,29
0224	048401			S	06001	HUB; FOR WASH ARM			21,32
0225	0L0598			S	CGX200 4-10	WASHING ARM ASSEMBLY			50,95
0226	048632			S		LOCK WASHER			9,50
0227	048716		0L2095			RINSE JET		a,b,c,d,e,f,g,h,i,l,x,y,a1,a2 - Up to Ser. Nr.: 936	
0227	0L2095			S		RINSE ARMS		a,b,c,d,e,f,g,h,i,l,x,y,a1,a2 - From Ser. Nr.: 937	61,92
0228	048714			S	CGX200 2-09	PLUG; FOR RINSE ARM		a,b,c,d,e,f,g,h,i,l,x,y,a1,a2 - Up to Ser. Nr.: 936	1,02
0229	000000								
0230	000000								
0231	000000								
0232	000000								
0233	000000								

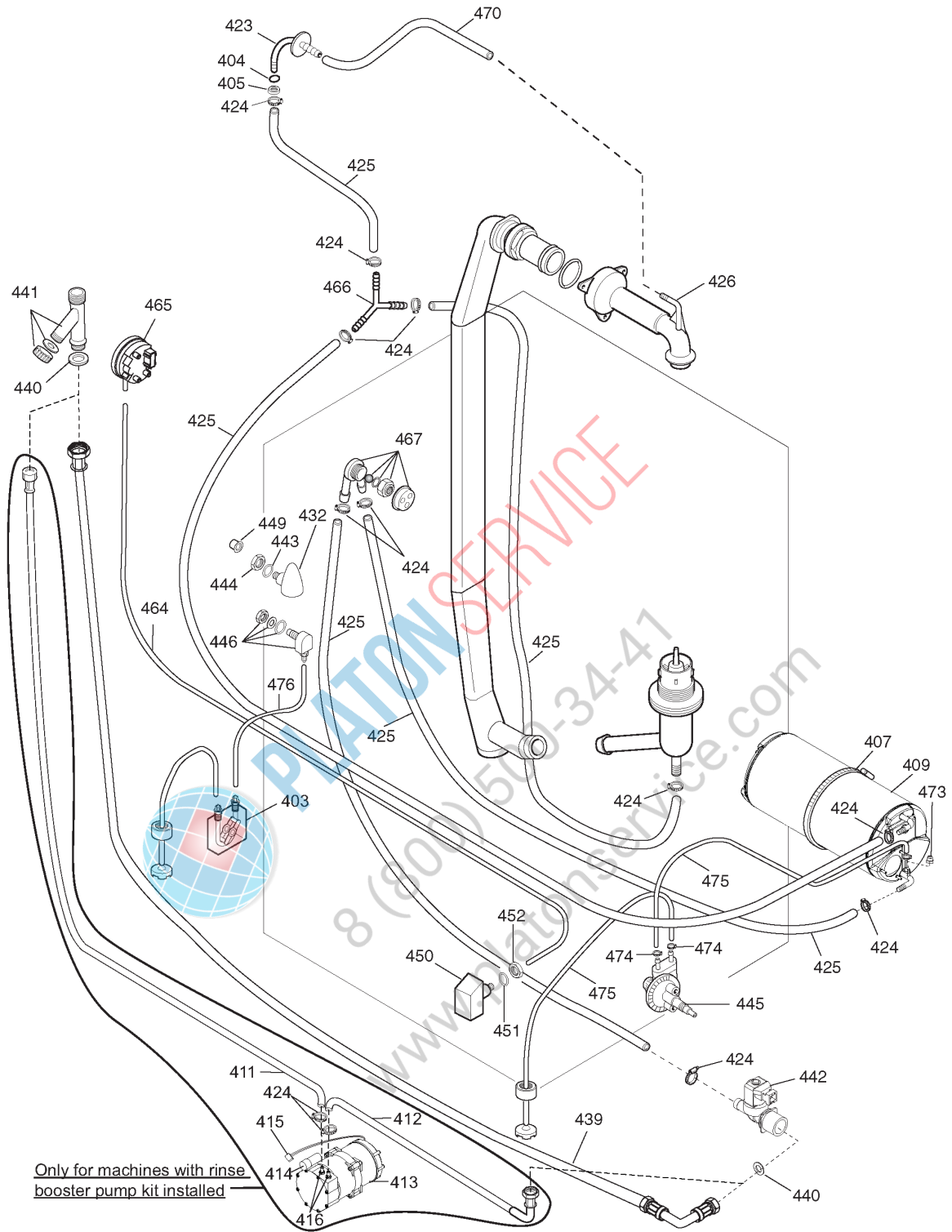
??????	505046									
??????	595665P00	???????? 3	Hydraulic components							
.		Alias		S		.				(Euro)
0234	000000									
0235	000000									
0236	000000									
0238	000000									
0239	000000									
0240	000000									
0241	000000									
0242	000000									
0243	000000									
0244	000000									
0248	000000									
0249	000000									



PLATON SERVICE

8 (800) 500-34-41

www.platonservice.com



iii. 595665P00_p5
 Circuito idraulico a pressione / Pressurized plumbing circuit

Da Ser.Nr./From Ser.nr.: /839....	Doc. Nr.: 595665P00
Page: 5	Ed.2010-10

??????	505046								
??????	595665P00	???????? 5					Pressurized plumbing circuit		
.		Alias		S			.		(Euro)
0404	046799			S			O-RING; FOR OVERFLOW PIPE		1,02
0405	049436			S			NUT; M20X1,5		3,87
0407	0TH122						CLAMP; 200-220		7,60
0409	0L0284			S			BOILER; AISI 304	From Ser. nr.: 018	195,90
0409	0L1908		0L0284				BOILER; ASSY; LS9/LS6	Up to Ser. nr.: 017	
0411	0L2394						FEEDER HOSE	Rinse booster pump kit	26,29
0412	0L2389						FEEDER HOSE	Rinse booster pump kit	27,81
0413	0L2391			S			RINSE PUMP; PS45	Rinse booster pump kit	223,30
0414	049126			S			CAPACITOR; 8MF	8 µF - Rinse booster pump kit	16,03
0415	0L2392				D		EL. CABLE; FOR GROUND	Rinse booster pump kit	3,38
0416	0L2390						RINSE PUMP; ASSY	Rinse booster pump kit - (pos. 413 + pos. 415 + pos. 416)	239,50
0416	0L2393						RUBBER HOLDER; 3/8"; MALE	Rinse booster pump kit	17,11
0423	0L0052						CONNECTION		24,26
0424	048126			S			CLIP; 13-20		1,58
0425	048531			S			RUBBER HOSE; ØI=12MM;ØE=19,5MM;BY METER		9,55
0426	0L0051			S			SUPPORT; UPPER JET		28,72
0432	048853			S			AIR CHAMBER		4,01
0439	0L1887			S	C		FEEDING HOSE; 2000MM		14,49
0440	0L1945			S			GASKET; SET 50PCS; DIA.26,5MM		16,55
0441	048834			S			STRAINER		13,63
0442	0L0566		0L3445	S			SOLENOID VALVE; TYPE 329P5; 20 L/MIN		
0443	068642			S			O-RING; ØI=15,54X2,62		1,02
0444	049268			S			HEX NUT; M14X1,5		1,80
0445	0L0094		0L3182		C		RINSE AID DISPENSER		
0449	049849			S			STOPPER		1,02
0450	048308			S			AIR TRAP; FOR PRESSURE GAUGE		4,44
0451	068642			S			O-RING; ØI=15,54X2,62	Up to Ser. nr.: 006	1,02
0452	049268			S			HEX NUT; M14X1,5		1,80
0464	048883			S			RUBBER HOSE; 5X12; 1PZ=2300MM		12,31
0464	049904			S		CGX200 8-16	PRESSURE SWITCH HOSE; L=60CM	From Ser. nr.: 007	5,17
0465	049620			S			PRESSURE SWITCH; CALIB.= 250/130-390		20,00
0466	048195			S			3-WAY FITTING; 2XØ=12MM E 1XØ=8,6MM		6,58
0467	0L1892			S			NONRETURN VALVE; HIGH TEMPERATURE		18,09
0470	049379			S			HOSE; WRC, 1PC=1130MM		22,23
0473	0L0349			S			PLUG		2,22

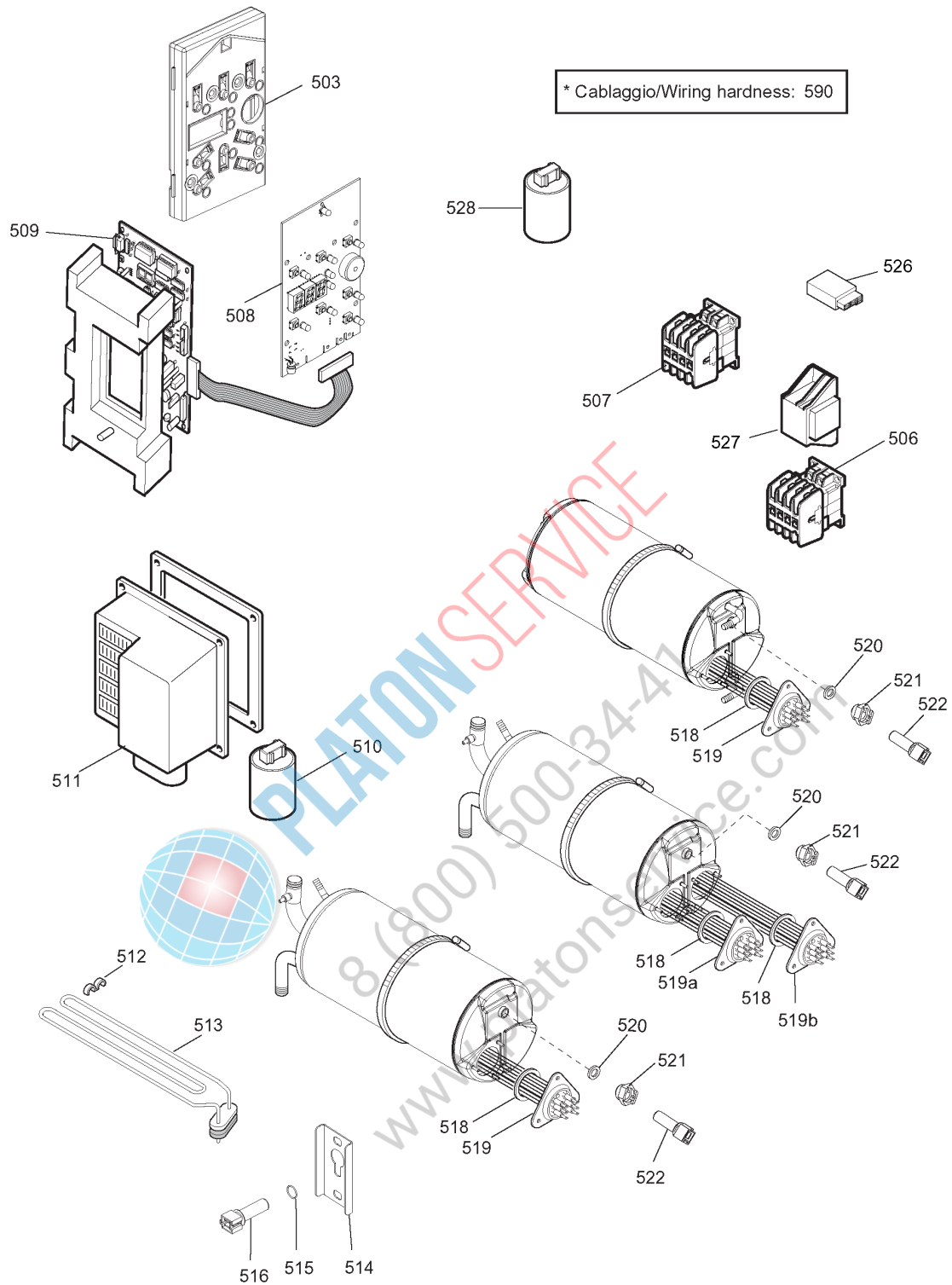
??????	505046								
??????	595665P00	???????? 5					Pressurized plumbing circuit		
.		Alias		S			.		(Euro)
0474	046946			S				CLAMP; 8-12/7,5	2,22
0475	0L0481			S				TUBE; L=2660 MM; ØE=6 MM; DETERG.PUMP	10,67
0476	049905		0L1163		D			HOSE; 1PC=2,66 MT	



PLATON SERVICE

8 (800) 500-34-41

www.platonservice.com



iii. 595665P00_p6
 Componenti elettrici / Electrical components

Da Ser.Nr./From Ser.nr.: /839....

Page: 6

Ed.2009-12

Doc. Nr.: 595665P00

??????	505046								
??????	595665P00	???????? 6	Electrical components						
.		Alias		S		.			(Euro)
0503	0L1568		0L1627		D			USER COVERING; LS14	
0507	0L0285			S	C			CONTACTOR; 220-240V 50HZ/240-264V 60HZ	a,c,d,e,g,h,x,a1,a2 28,84
0508	0L1566		0L1627		D			USER INTERFACE BOARD; HT ACTIVE	a,b,e,f,h,i,l,c,x,y,a1,d,a2,g - Up to Ser. Nr.: 022
0508	0L1973		0L2482					USER INTERFACE BOARD; ASIA	a,b,e,f,h,i,l,c,x,y,a1,d,a2,g - From Ser. Nr.: 023
0509	0L2582			S				PCB; DIWAP10; 50/60HZ	a,b,c,e,f,h,i,l,x,y,a1 203,00
0510	049303			S				RADIO INTERFERENCE FILTER; 250V 50/60HZ	a,b,e,h,i,l,c,a1,q,m,n,o,p,r,s,t,u ,v,a2,g - Up to Ser. Nr.: 213 23,55
0511	0L0111			S				JUNCTION BOX	40,30
0512	048429			S				BRACKET	2,01
0513	048924		0L2340					TANK HEATING ELEMENT; 2200W 230V	a,b,h,i,l,c,a1,d,v,a2,g - Up to Ser. Nr.: 022
0513	0L2340			S				HEATING ELEMENT; 230V-2200W	a,b,h,i,l,c,a1,d,v,a2,g - From Ser. Nr.: 023 33,39
0514	0L0366			S				SUPPORT	3,44
0515	0L2303			S				O-RING; DIA.9,25X1,78	1,02
0516	049643			S				TEMPERATURE PROBE	9,76
0518	0E5037			S	C	CGX200 0-46		HEATING ELEMENT GASKET; DIA.56.52XSP.5.33	a,b,c,e,h,i,l,d,g,x,a1,a2 1,43
0519	0L2653			S				HEATING ELEMENT; 230V 9000W	79,00
0520	0L2303			S				O-RING; DIA.9,25X1,78	a,b,c,h,l,i,d,g,k,z,a1,a2 1,02
0521	0L0280			S				STUFFING BOX	a,b,c,h,l,i,d,g,k,z,a1,a2 11,51
0522	049643			S				TEMPERATURE PROBE	a,b,c,h,l,i,d,g,k,z,a1,a2 9,76
0528	049901			S				INDUCTIVE-CAPACITIVE FILTER; SINGLE PHASE	a,c,d,e,b,f,g,h,l,i,k,z,x,y,a1,a2 16,36
0590	0L2487			S				WIRING HARNESS	a,b,h,i,l,c,a1,d,a2,g 96,02
519a	000000								
519b	000000								